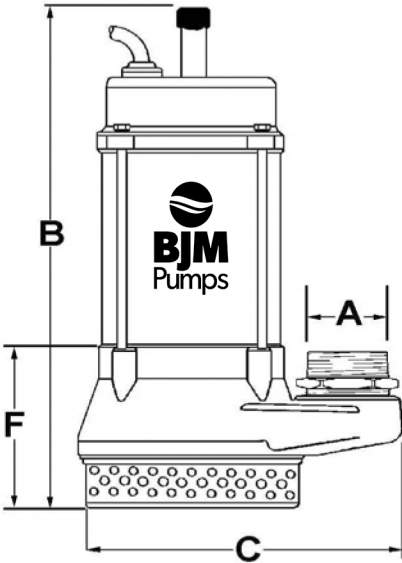
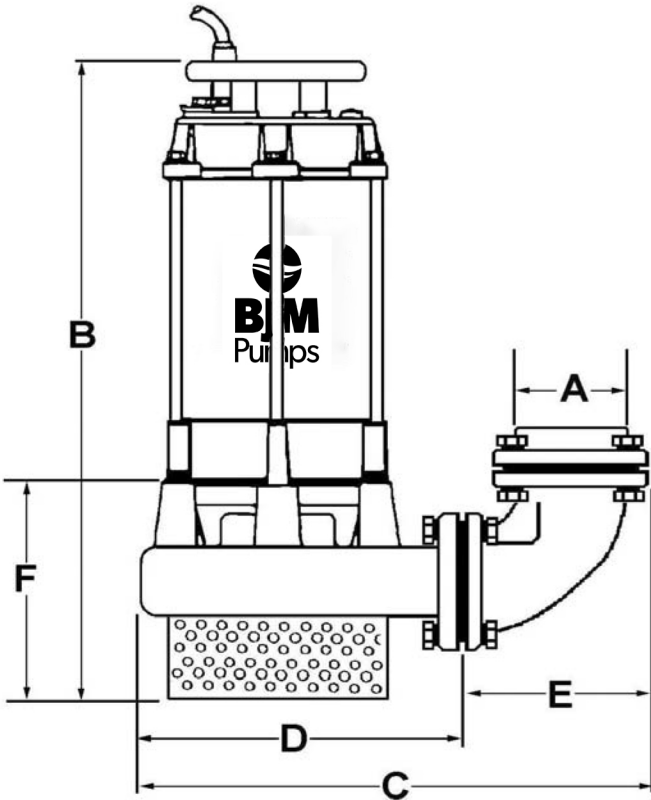


JX & JXH SERIES



MODEL	A	B	C	F
JX400	2.0"	15.7"	8.5"	4.75"
JX750	2.0"	17.3"	11.2"	5.25"
JX1500	3.0"	18.7"	12.5"	5.25"
JX1500H	2.0"	18.7"	12.5"	5.25"
JX08	2.0"	15.2"	11.2"	5.25"
JX15	3.0"	16.4"	11.2"	5.25"
JX15H	2.0"	16.4"	11.2"	5.25"
JX22	3.0"	18.5"	12.5"	6.25"
JX22H	2.0"	18.5"	12.5"	6.25"
JX37	4.0"	19.7"	12.5"	6.25"
JX37H	2.0"	19.7"	12.5"	6.25"



MODEL	A	B	C	D	E	F
JX55C	4.0"	25.5"	20.5"	13.25"	7.25"	8.0"
JX75C	4.0"	27.75"	20.5"	13.25"	7.25"	8.0"
JX55CH	3.0"	25.5"	20.5"	13.25"	7.25"	8.0"
JX75CH	4.0"	27.75"	20.5"	13.25"	7.25"	8.0"

JX150CSS - JX220CSS

MODEL	A	B	C	D	E	F	G
JX150CSS	6" ANSI	34.6"	12.3"	27.4"	15.7"	10.8"	15.5"
JX220CSS	6" ANSI	34.6"	12.3"	27.4"	15.7"	10.8"	15.5"

